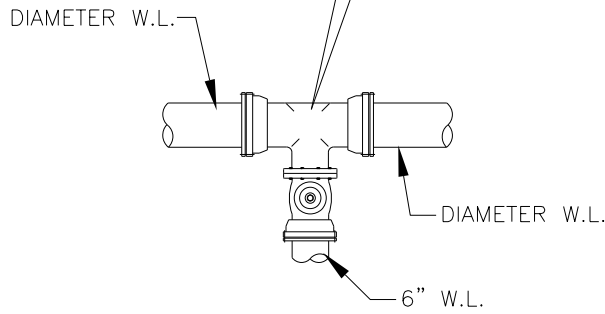
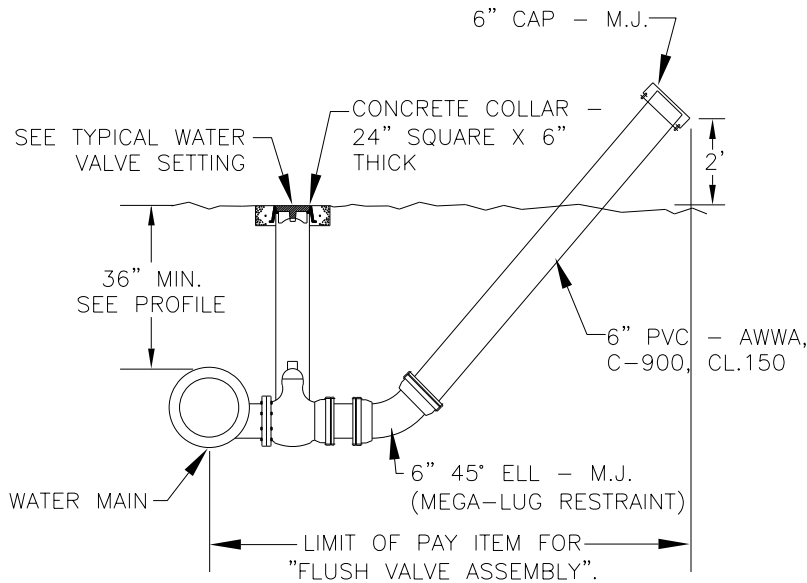


- 1-DIAMETERx6" TANGENTIAL OUTLET TEE - MJxMJxFLG.
- 1-6" M.J. X FLANGE GATE VALVE
- 1-6" M.J. 45° BEND
- 1-6" M.J. CAP 1-VALVE BOX



PLAN VIEW



ELEVATION

SCALE: NOT TO SCALE



MARBLE FALLS
 800 THIRD STREET
 MARBLE FALLS, TX 78654
 PH: (830) 693-6737

These documents were prepared by,
 or under the supervision of:

ERIC BELAJ 107148 May 31, 2017
 Engineer's Name PE# Date

Engineer's Signature

SECTION

WATER

DETAIL NO.

WT-24

TITLE

FLUSH CONNECTION