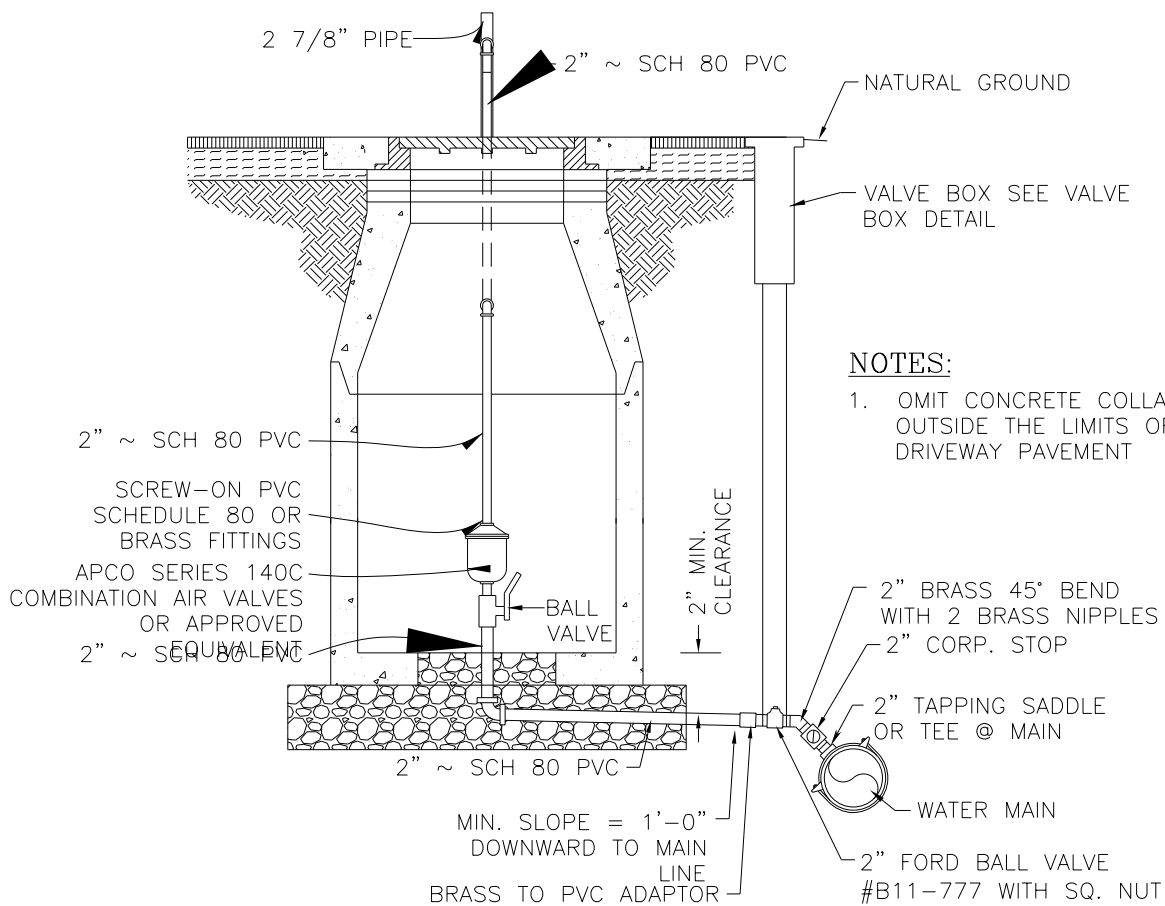
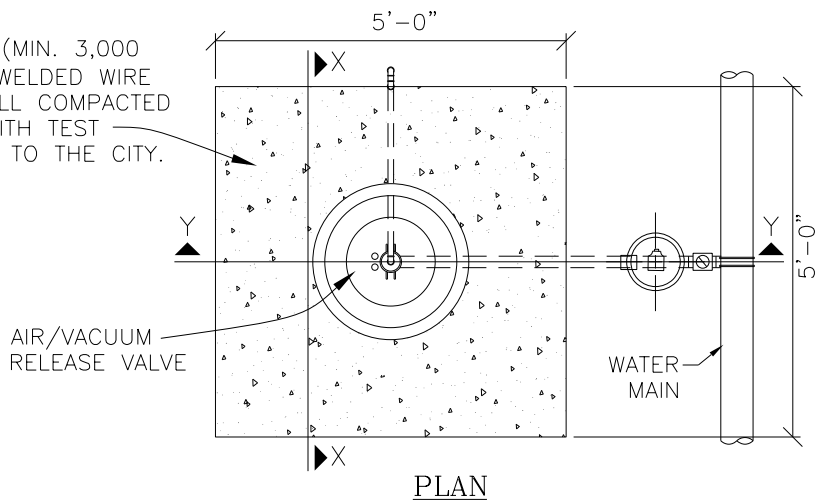


CONCRETE COLLAR (MIN. 3,000 PSI) WITH 6x6x#6 WELDED WIRE MESH OVER BACKFILL COMPACTED TO 95% DENSITY WITH TEST REPORTS PROVIDED TO THE CITY. SEE NOTE 1

**NOTE:**

PLAN VIEW SHOWN ONLY FOR CLARIFICATION OF SECTION "X-X" AND "Y-Y".



**NOTES:**

1. OMIT CONCRETE COLLAR IN AREAS OUTSIDE THE LIMITS OF ROADWAY OR DRIVEWAY PAVEMENT

SECTION "Y-Y"

SCALE: NOT TO SCALE



MARBLE FALLS  
800 THIRD STREET  
MARBLE FALLS, TX 78654  
PH: (830) 693-6737

These documents were prepared by,  
or under the supervision of:

ERIC BELAJ 107148 May 31, 2017  
Engineer's Name PE# Date

Engineer's Signature

SECTION

**WATER**

DETAIL NO.

WT-23

TITLE

AIR RELEASE-VACUUM  
VALVE (2 OF 2)