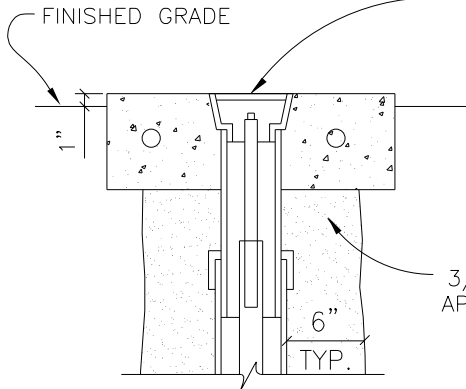


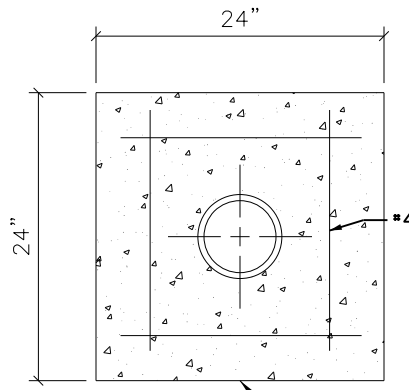
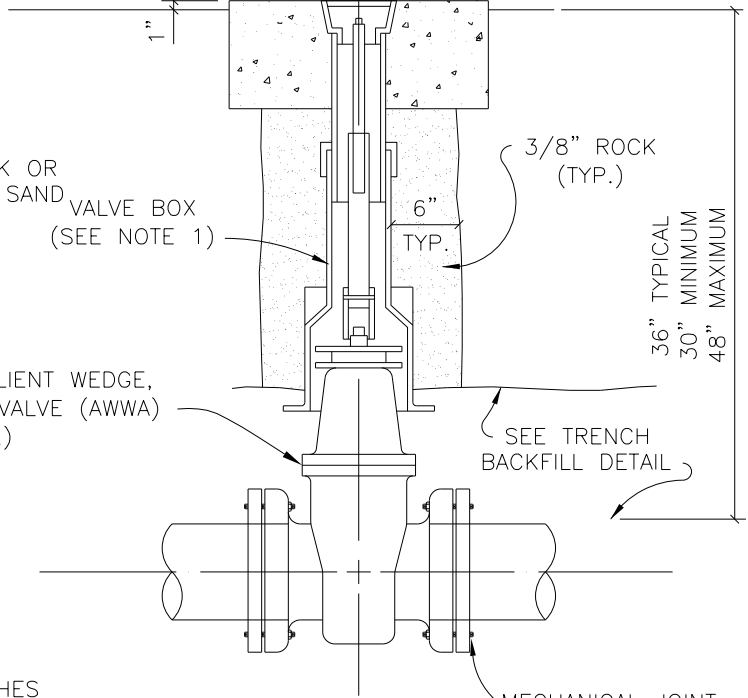


**SEWER VALVE LID**

"WATER" TO BE CAST IN COVER WHEN USED ON WATER MAIN OR "SEWER" WHEN USED ON FORCE MAIN



"SEWER" TO BE CAST IN COVER WHEN USED ON FORCE MAIN



CONCRETE COLLAR  
6" THICK MINIMUM

MECHANICAL JOINT, RESILIENT WEDGE,  
NON-RISING STEM GATE VALVE (AWWA)  
(SEE NOTE 2)

SEE TRENCH  
BACKFILL DETAIL

MECHANICAL JOINT  
WITH RETAINER GLAND AND  
LOCKING SET SCREWS

**NOTES:**

1. VALVE BOX SHALL BE EAST JORDAN IRON WORKS OR APPROVED EQUAL HAVING AN ADJUSTABLE RANGE OF + OR - 6 INCHES FROM INSTALLED FINISH GRADE. (SEE TYPICAL SEWER VALVE SETTING)
2. ACCEPTABLE GATE VALVES ARE:
  - A. N/A
  - B. MUELLER - 2360 SERIES
  - C. CLOW

SCALE: NOT TO SCALE



**MARBLE FALLS**  
800 THIRD STREET  
MARBLE FALLS, TX 78654  
PH: (830) 693-6737

These documents were prepared by,  
or under the supervision of:

ERIC BELAJ 107148 May 31, 2017  
Engineer's Name PE# Date

Engineer's Signature

SECTION

**WATER**

DETAIL NO.

**WT-18**

TITLE

IN-LINE VALVE