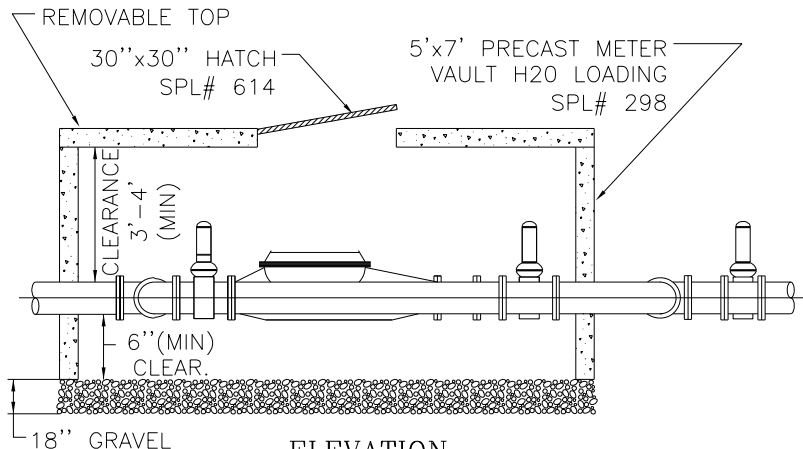


PLAN VIEW



ELEVATION

No.	NAME	Length
A	OVERALL LENGTH	74 3/4''
B	METER + NIPPLE + FCA	37 1/2''
C	CENTER OF MAINLINE TO OUTSIDE OF BYPASS	17 1/2''
D	CENTERLINE OF MAINLINE TO INSIDE OF VAULT	30''
E	CENTERLINE OF MAINLINE TO INSIDE OF VAULT	30''

NOTE:

1. DRAWING NOT TO SCALE FOR CLARIFICATION
2. ADAPTED FROM CITY OF AUSTIN 520-15C


SCALE: NOT TO SCALE



MARBLE FALLS
800 THIRD STREET
MARBLE FALLS, TX 78654
PH: (830) 693-6737

These documents were prepared by,
or under the supervision of:

ERIC BELAJ 107148 May 31, 2017
Engineer's Name PE# Date


Engineer's Signature

SECTION

WATER

DETAIL NO.

WT-14

TITLE

6" COMPOUND METER
(1 OF 2)