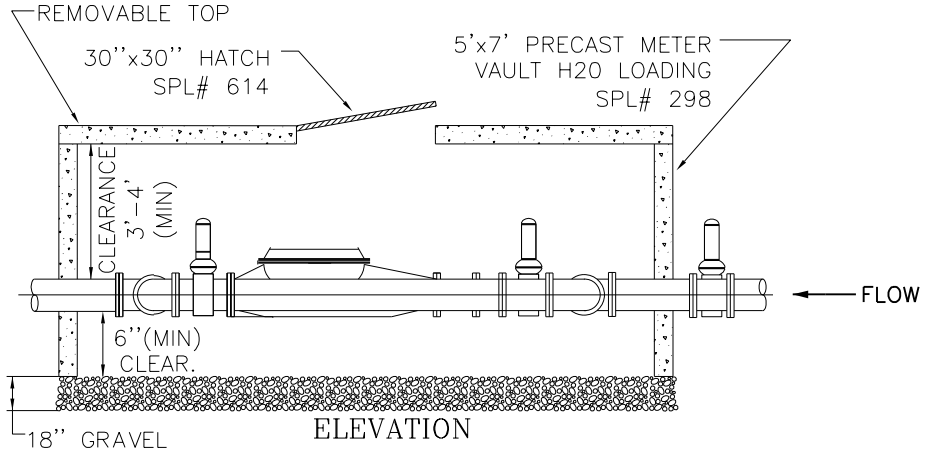


PLAN VIEW



ELEVATION

No.	NAME	Length
A	OVERALL LENGTH	79"
B	METER + NIPPLE + FCA	34 1/2 "
C	CENTER OF MAINLINE TO OUTSIDE OF BYPASS	17 1/2 "
D	CENTERLINE OF MAINLINE TO INSIDE OF VAULT	30"
E	CENTERLINE OF MAINLINE TO INSIDE OF VAULT	30"

NOTE:

1. DRAWING NOT TO SCALE FOR CLARIFICATION
2. ADOPTED FROM CITY OF AUSTIN 520-15B

SCALE: NOT TO SCALE



MARBLE FALLS
 800 THIRD STREET
 MARBLE FALLS, TX 78654
 PH: (830) 693-6737

These documents were prepared by,
 or under the supervision of:

ERIC BELAJ 107148 May 31, 2017
 Engineer's Name PE# Date

Engineer's Signature

SECTION

WATER

DETAIL NO.

WT-12

TITLE

4" COMPOUND METER
 (1 OF 2)