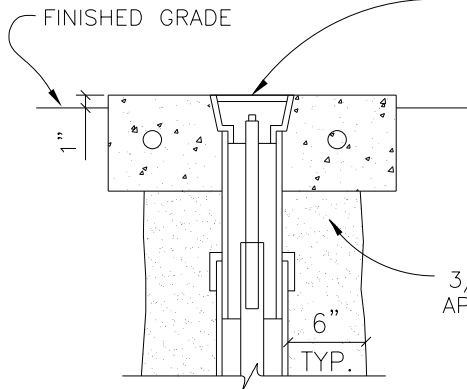


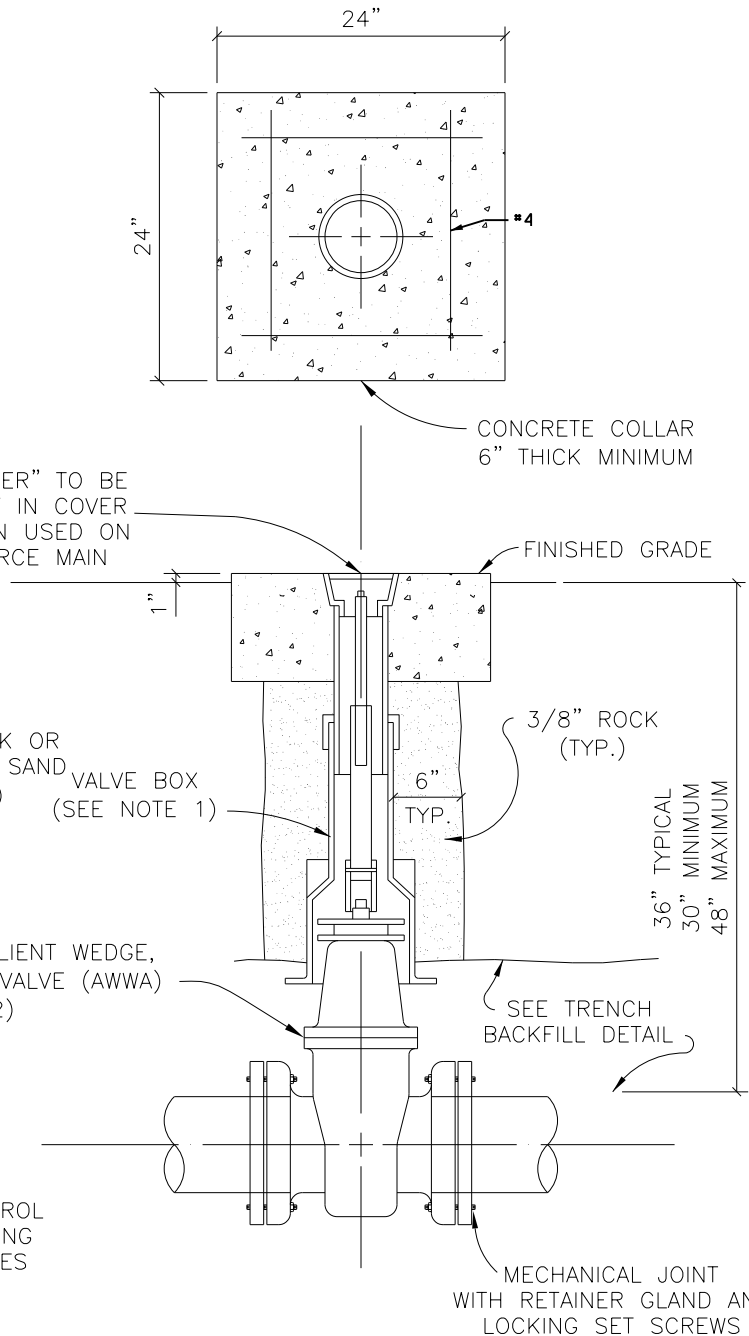


SEWER VALVE LID

"WATER" TO BE CAST IN COVER WHEN USED ON WATER MAIN OR "SEWER" WHEN USED ON FORCE MAIN



"SEWER" TO BE CAST IN COVER WHEN USED ON FORCE MAIN



NOTES:

1. VALVE BOX SHALL BE AMERICAN FLOW CONTROL TRENCH ADAPTER OR APPROVED EQUAL HAVING AN ADJUSTABLE RANGE OF + OR - 6 INCHES FROM INSTALLED FINISH GRADE. (SEE TYPICAL SEWER VALVE SETTING)
2. ACCEPTABLE GATE VALVES ARE:
 - A. AMERICAN FLOW CONTROL - SERIES 2500
 - B. MUELLER - 2360 SERIES
 - C. CLOW

SCALE: NOT TO SCALE



MARBLE FALLS
 800 THIRD STREET
 MARBLE FALLS, TX 78654
 PH: (830) 693-6737

These documents were prepared by,
 or under the supervision of:

ERIC BELAJ 107148 May 31, 2017
 Engineer's Name PE# Date

Engineer's Signature

SECTION
WASTEWATER

DETAIL NO.
WW-21

TITLE
 IN-LINE VALVE