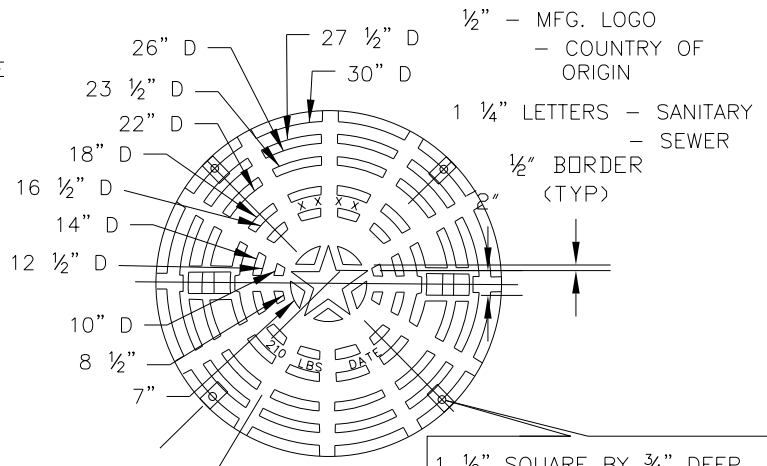
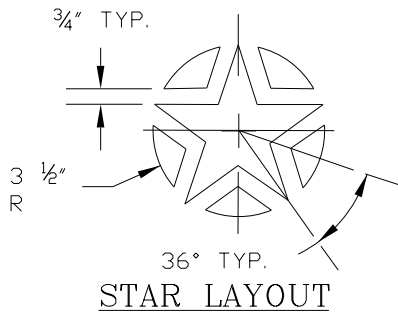


LID BOTTOM VIEW



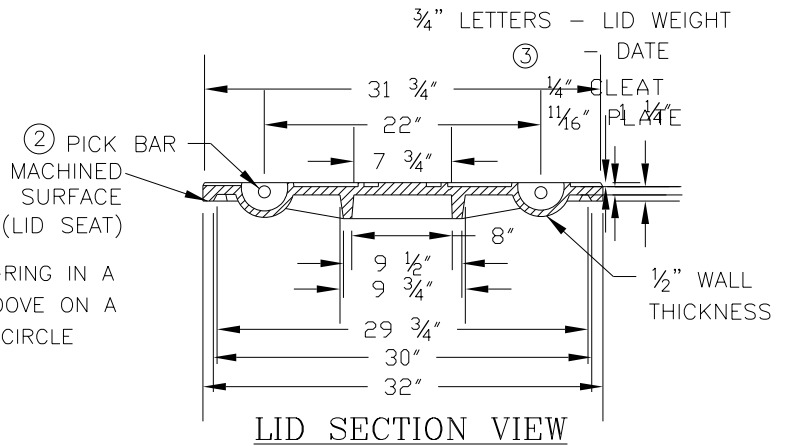
PLAN VIEW

1 1/2" SQUARE BY 3/4" DEEP RECESS BELOW TREAD WITH 1 3/16" HOLE ON A 29 13/16" DIA. CIRCLE(TYP.)

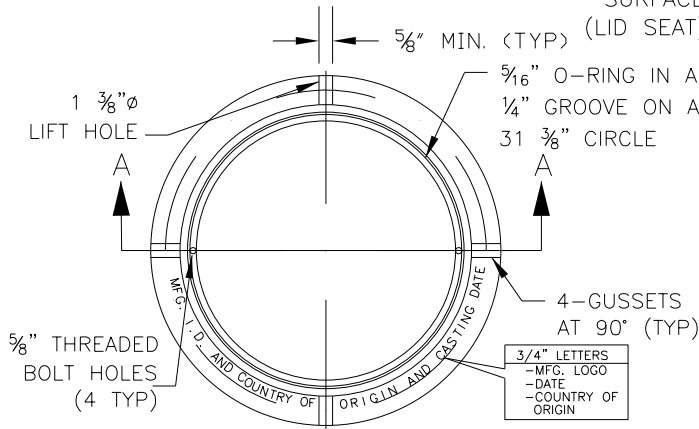


STAR LAYOUT

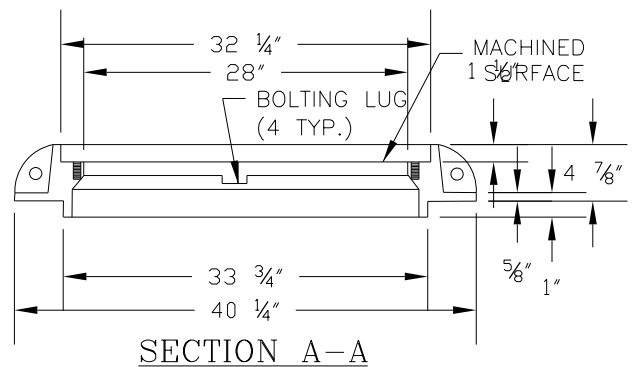
ALL MANHOLE LIDS SHALL BE BOLTED AND GASKETED



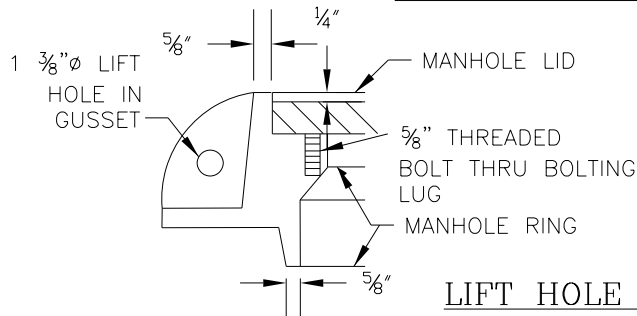
LID SECTION VIEW



MANHOLE RING



SECTION A-A



LIFT HOLE DETAIL

SCALE: NOT TO SCALE



MARBLE FALLS
800 THIRD STREET
MARBLE FALLS, TX 78654
PH: (830) 693-6737

These documents were prepared by,
or under the supervision of:

ERIC BELAJ 107148 May 31, 2017
Engineer's Name PE# Date

[Signature]
Engineer's Signature

SECTION
WASTEWATER

DETAIL NO.
WW-46

TITLE
MANHOLE
SEALED FRAME & LID