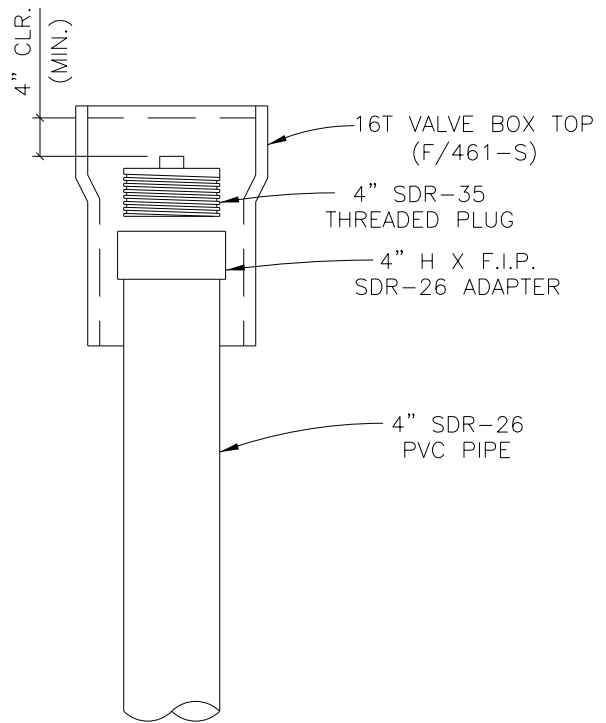


5 1/4" LOCKING LID  
(F/461-S)



SEWER CLEAN-OUT  
CITY OF MARBLE FALLS  
(RESIDENTIAL SERVICE)

SCALE: NOT TO SCALE



MARBLE FALLS  
800 THIRD STREET  
MARBLE FALLS, TX 78654  
PH: (830) 693-6737

These documents were prepared by,  
or under the supervision of:

ERIC BELAJ      107148      May 31, 2017  
Engineer's Name      PE#      Date

Engineer's Signature

SECTION  
**WASTEWATER**

DETAIL NO.  
**WW-19**

TITLE  
CLEAN - OUT