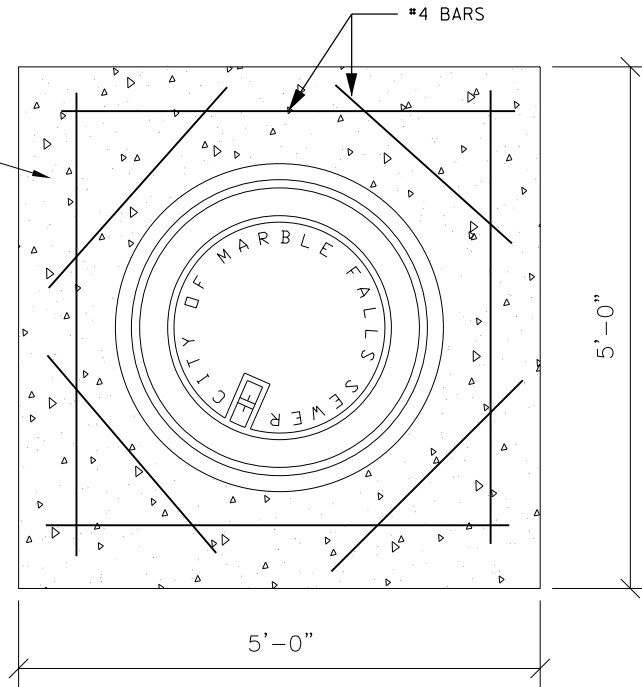
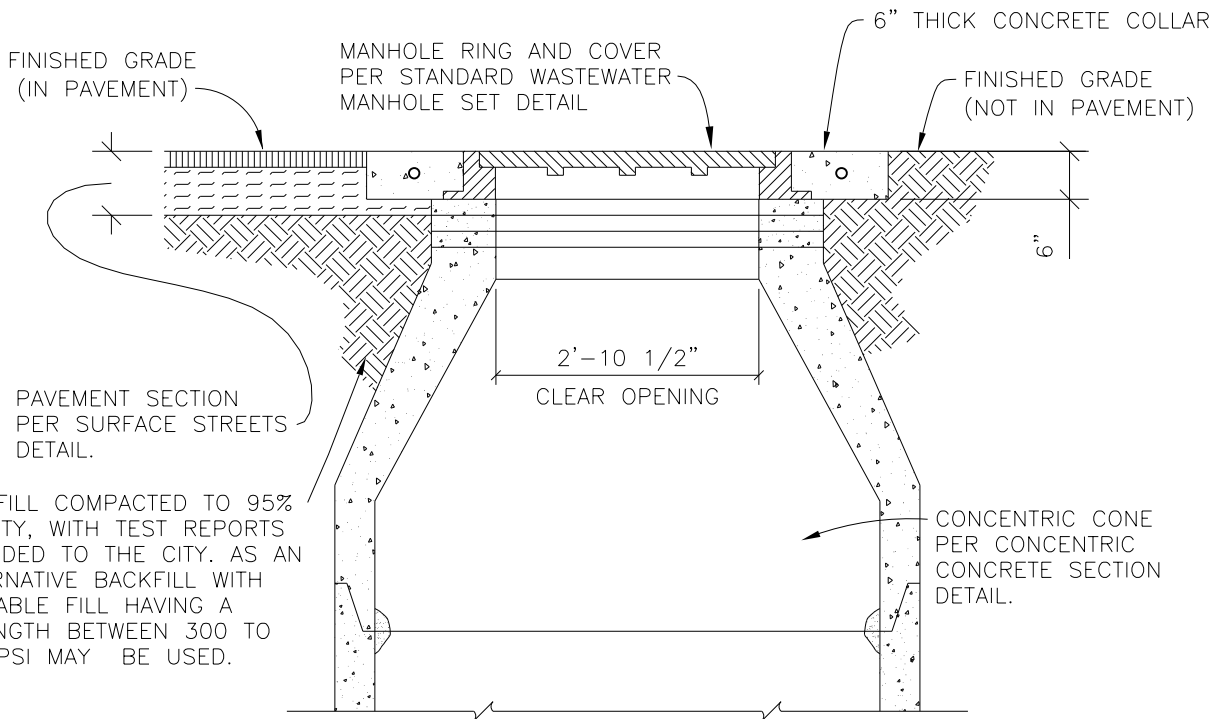


CONCRETE COLLAR
(MIN. 3,000 PSI) WITH 6X6 -
W1.4 X W1.4 WELDED WIRE
FABRIC OVER BACKFILL



PLAN



SECTION


SCALE: NOT TO SCALE



MARBLE FALLS
800 THIRD STREET
MARBLE FALLS, TX 78654
PH: (830) 693-6737

These documents were prepared by,
or under the supervision of:

ERIC BELAJ 107148 May 31, 2017
Engineer's Name PE# Date


Engineer's Signature

SECTION
WASTEWATER

DETAIL NO.
WW-17

TITLE
MANHOLE CONCRETE
APRON