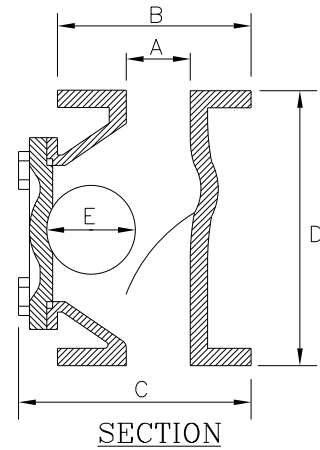
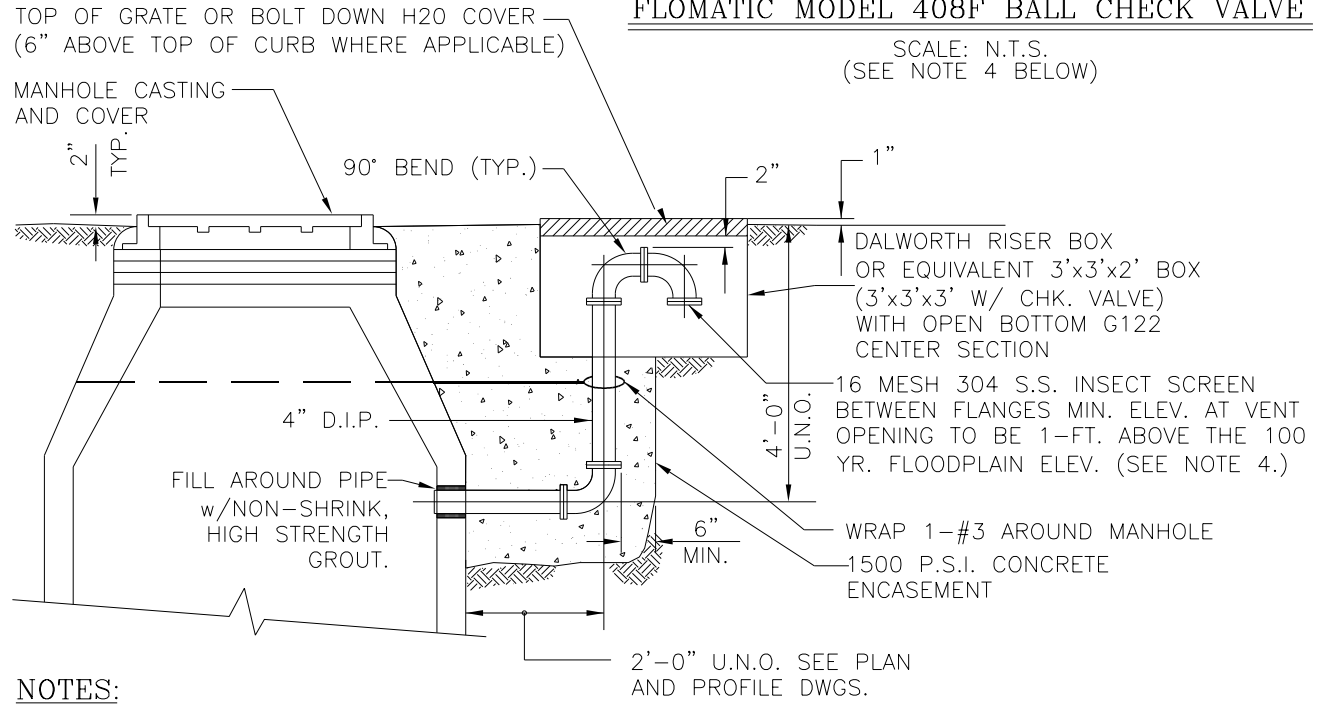


A	B	C	D	E
4"	9"	11 1/8"	12 1/4"	4 3/4"



FLOMATIC MODEL 408F BALL CHECK VALVE

SCALE: N.T.S.
(SEE NOTE 4 BELOW)



- NOTES:**
- AIR INTAKE PIPE TO BE D.I.P., CLASS 53 WITH FLANGED CONNECTIONS.
 - ALL FITTINGS TO BE 150 PSIG RATED & ANSI/AWWA C110/A21.10.
 - SURFACE PREP ABOVE GROUND PIPING TO SSPC10-63, N.A.C.E. NO.2 STANDARD. APPLY EPOXY PRIMER 2-4 MIL, DFT FOLLOWED BY 2 COATS OF AMINE ADDUCT CURED, HIGH-BUILD EPOXY (TWO COMPONENT EPOXY POLYAMIDE) 8-10 MIL DFT, NON-LEAD CEDAR GREEN COLOR.
 - IF ELEVATION OF VENT OPENING IS LESS THAN 1-FT. ABOVE 100 YR. FLOODPLAIN, FLOMATIC MODEL 408F BALL CHECK VALVE OR EQUAL WITH FLOATING TYPE BALL TO BE INSTALLED AT DOWNTURNED OPENING OF VENT. (SEE DIMENSIONAL DETAIL ABOVE RIGHT). 16 MESH 304 S.S. INSECT SCREEN TO BE PLACED IN THE OPENING.


SCALE: NOT TO SCALE



MARBLE FALLS
800 THIRD STREET
MARBLE FALLS, TX 78654
PH: (830) 693-6737

These documents were prepared by,
or under the supervision of:

ERIC BELAJ 107148 May 31, 2017
Engineer's Name PE# Date



Engineer's Signature

SECTION
WASTEWATER

DETAIL NO.
WW-6

TITLE
MANHOLE VENT