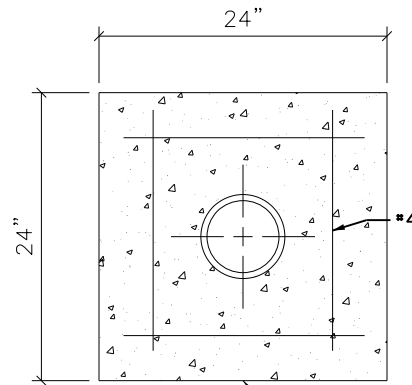


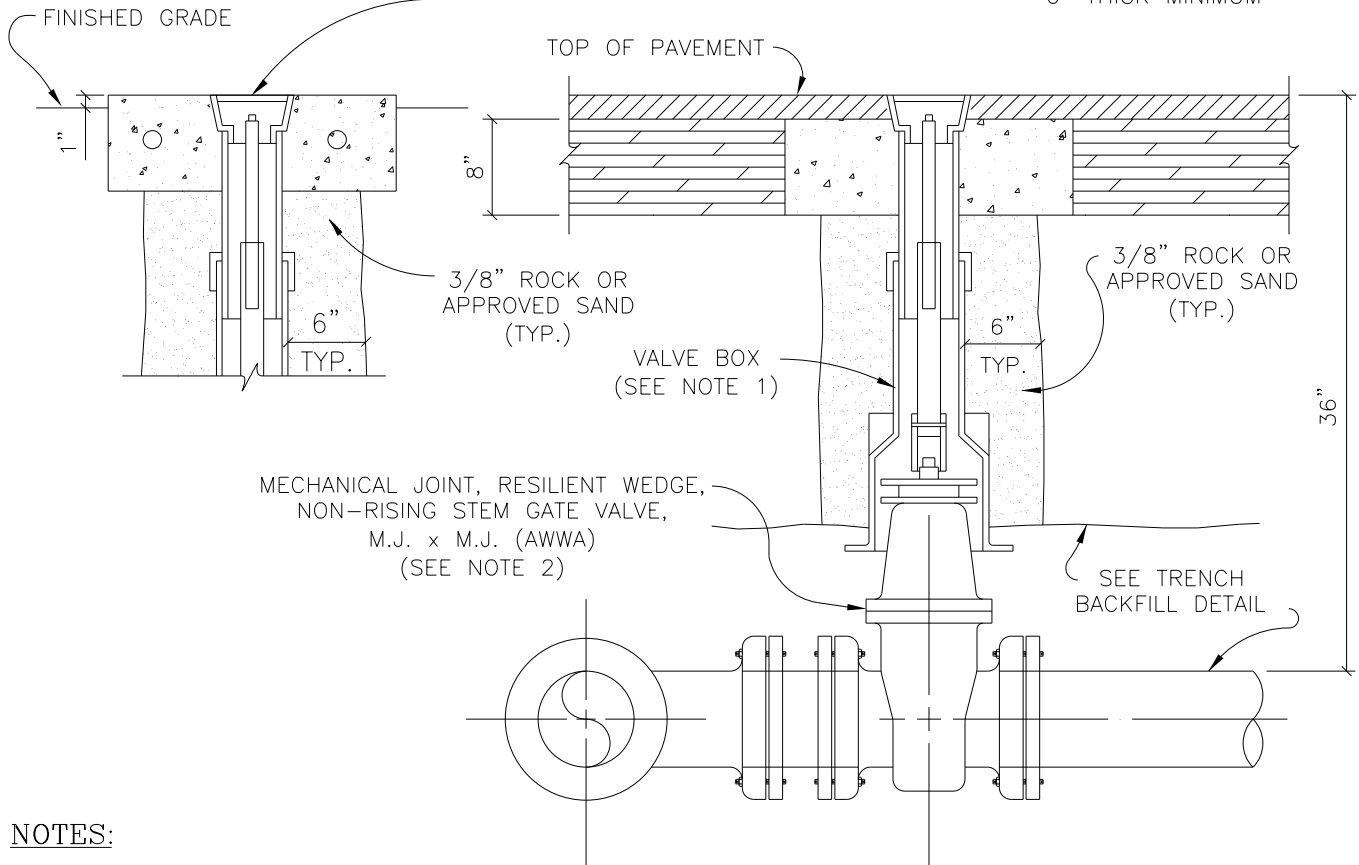


SEWER VALVE LID

"WATER" TO BE CAST IN COVER WHEN USED ON WATER MAIN OR "SEWER" WHEN USED ON FORCE MAIN



CONCRETE COLLAR
6" THICK MINIMUM



NOTES:

1. VALVE BOX SHALL BE AMERICAN FLOW CONTROL TRENCH ADAPTER OR APPROVED EQUAL HAVING AN ADJUSTABLE RANGE OF + OR - 6 INCHES FROM INSTALLED FINISH GRADE.
2. ACCEPTABLE GATE VALVES ARE:
 - A. AMERICAN FLOW CONTROL - SERIES 2550
 - B. MUELLER - 2360 SERIES
 - C. CLOW

SCALE: NOT TO SCALE



MARBLE FALLS
800 THIRD STREET
MARBLE FALLS, TX 78654
PH: (830) 693-6737

These documents were prepared by,
or under the supervision of:

ERIC BELAJ 107148 May 31, 2017
Engineer's Name PE# Date

[Handwritten Signature]
Engineer's Signature

SECTION
WASTEWATER

DETAIL NO.
WW-20

TITLE
WASTEWATER VALVE