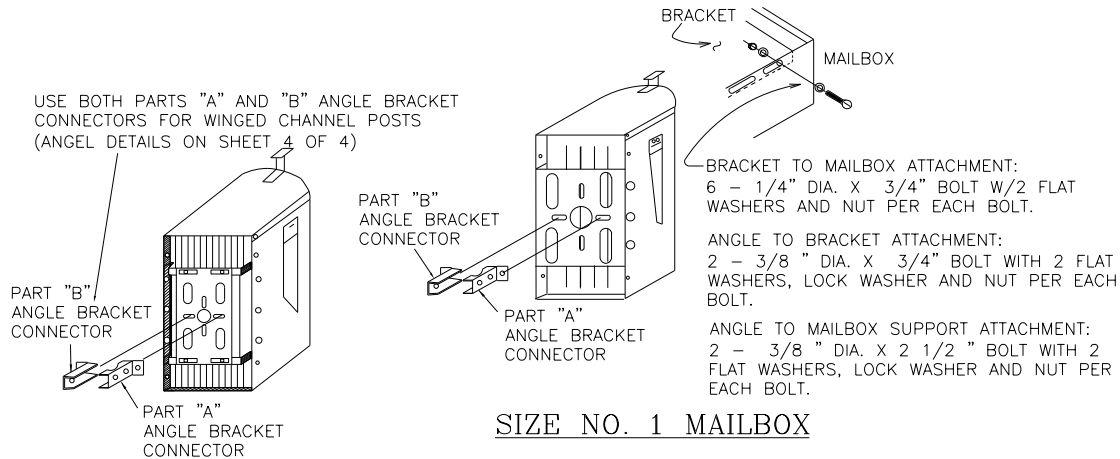


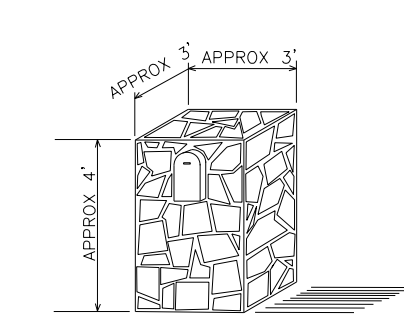
FOR BOLT SIZES SEE NOTES FOR STANDARD MAILBOX ATTACHMENT DETAILS

DETAIL A
SINGLE MAILBOX MOUNT

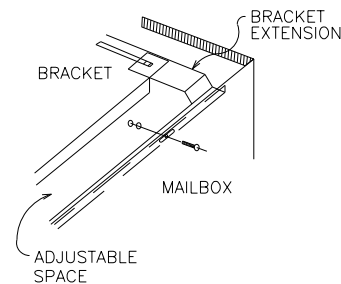
SINGLE MAILBOX – STANDARD MOUNT



SIZE NO. 1 MAILBOX



MAILBOX – MASONRY TYPE



SIZE NO. 1 1/2 MAILBOX MAY BE INSTALLED USING ONE BRACKET EXTENSION.

BRACKET TO MAILBOX ATTACHMENT:
6 - 1/4" DIA. X 3/4" BOLT W/2 FLAT WASHERS AND NUT PER EACH BOLT.

BRACKET TO BRACKET EXTENSION ATTACHMENT:
2 - 1/4" DIA. X 3/4" CARRIAGE BOLT W/ FLAT WASHER, LOCK WASHER AND NUT PER BOLT (4 BOLTS REQUIRED IF 2 BRACKET EXTENSIONS ARE USED).

ANGLE TO BRACKET ATTACHMENT:
2 - 3/8" DIA. X 3/4" BOLT W/2 FLAT WASHERS, LOCK WASHER AND NUT PER EACH BOLT.

ANGLE TO MAILBOX SUPPORT ATTACHMENT:
2 - 3/8" DIA. X 2 1/2" BOLT W/2 FLAT WASHERS, LOCK WASHER, AND NUT PER EACH BOLT.

SIZE NO. 1 1/2 AND NO. 2 MAILBOX

PRIOR TO BIDDING, THE CONTRACTOR SHALL REVIEW THE MASONRY TYPE MAILBOXES ON THE PROJECT. THE METHOD OF CONSTRUCTION AND MATERIALS FOR THE NEW MAILBOXES SHALL BE SIMILAR TO EXISTING STRUCTURES.

REMOVAL AND DISPOSAL OF WASTE MATERIAL SHALL BE CONSIDERED SUBSIDIARY TO THIS PAY ITEM.


SCALE: NOT TO SCALE



MARBLE FALLS
800 THIRD STREET
MARBLE FALLS, TX 78654
PH: (830) 693-6737

These documents were prepared by,
or under the supervision of:

ERIC BELAJ 107148 May 31, 2017
Engineer's Name PE# Date


Engineer's Signature

SECTION

PAVING

DETAIL NO.

PV-30

TITLE

MAILBOX