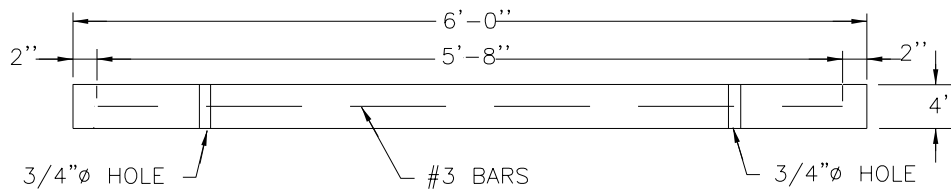
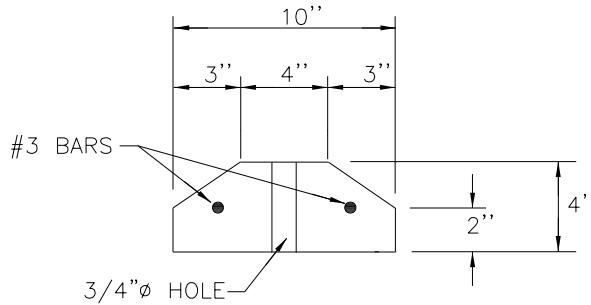


PLAN



LONGITUDINAL SECTION



ALL CONCRETE SHALL BE CLASS "A"
IN ACCORDANCE WITH ITEM 403.

CROSS SECTION

SCALE: NOT TO SCALE



MARBLE FALLS
800 THIRD STREET
MARBLE FALLS, TX 78654
PH: (830) 693-6737

These documents were prepared by,
or under the supervision of:

ERIC BELAJ 107148 May 31, 2017
Engineer's Name PE# Date

[Signature]
Engineer's Signature

SECTION

PAVING

DETAIL NO.

PV-28

TITLE

WHEEL STOP