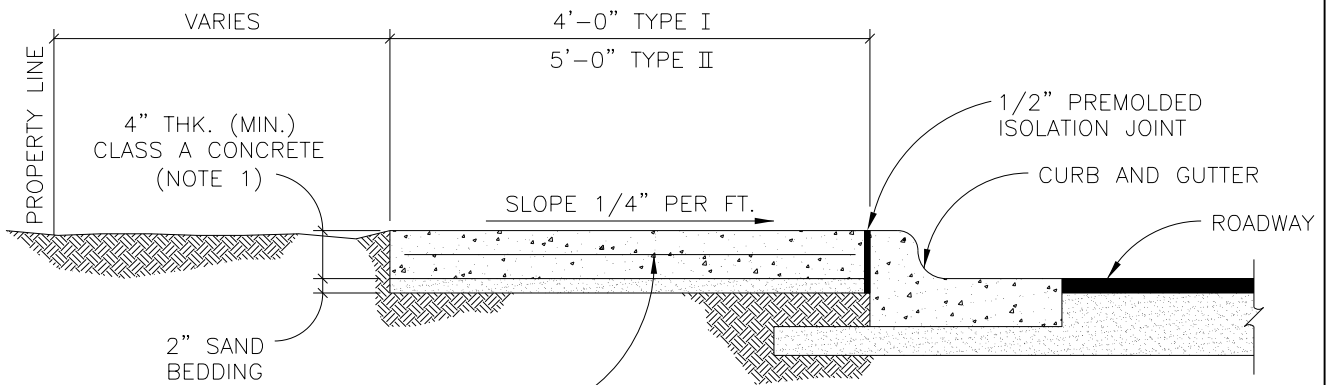


TYPE I – AS REQUIRED FOR SINGLE FAMILY, DUPLEXES AND TOWNHOUSES.

TYPE II – AS REQUIRED FOR APARTMENTS, OFFICE AND PARKING LOTS, COMMERCIAL AND INDUSTRIAL.



POLYPROPYLENE FIBRILLATED FIBERS, OR
 6" x 6" W2.9 x W2.9 WELDED WIRE FABRIC
 OR #3 BARS AT 18" O.C.E.W.

NOTES:

1. FOR ROLLER STAMPED SIDEWALK: 4000 P.S.I. CONCRETE WITH 3/8" AGGREGATE.
2. STANDARD LOCATION OF SIDEWALK IS OFF BACK OF CURB. SPECIAL DESIGNS MAY BE APPROVED BY THE CITY ENGINEER, PRIOR TO FINAL DESIGN.

SCALE: NOT TO SCALE



MARBLE FALLS
 800 THIRD STREET
 MARBLE FALLS, TX 78654
 PH: (830) 693-6737

These documents were prepared by,
 or under the supervision of:

ERIC BELAJ 107148 May 31, 2017
 Engineer's Name PE# Date

Engineer's Signature

SECTION

PAVING

DETAIL NO.

PV-15

TITLE

TYPICAL SIDEWALK SECTION