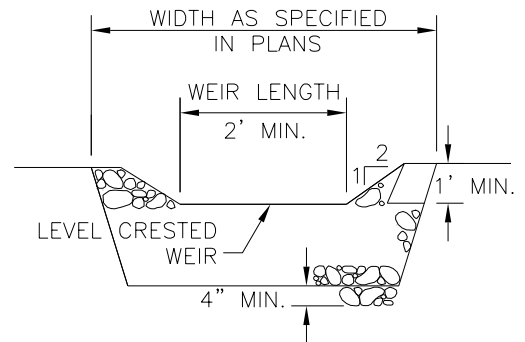
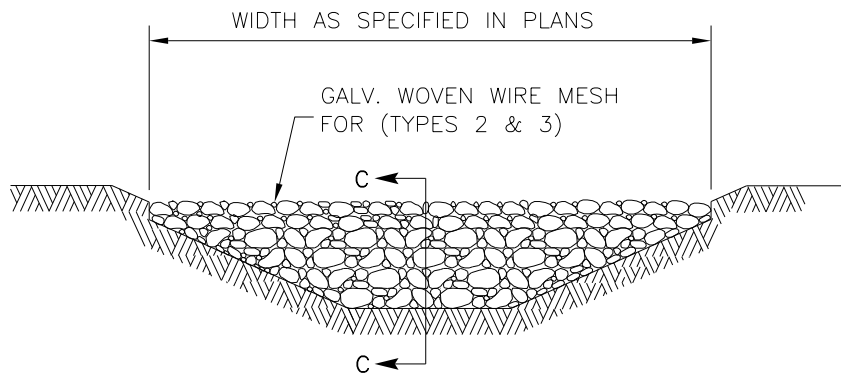


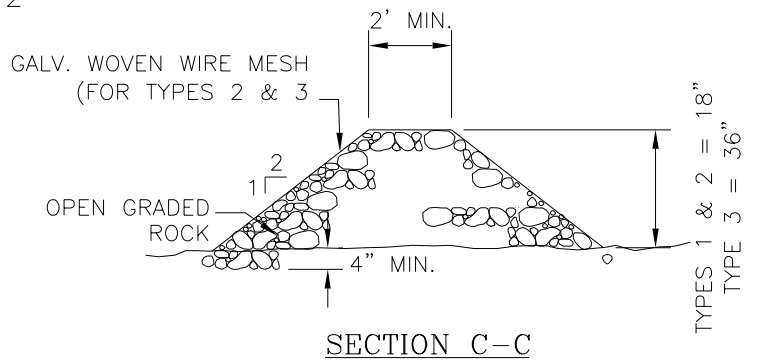
ROCK BERM AT SEDIMENT TRAP
TYPE 1 OR TYPE 2



PROFILE OF ROCK BERM AT SEDIMENT TRAP



ROCK BERM AT CHANNEL SECTIONS
TYPE 1 OR TYPE 2



SECTION C-C


SCALE: NOT TO SCALE



MARBLE FALLS
800 THIRD STREET
MARBLE FALLS, TX 78654
PH: (830) 693-6737

These documents were prepared by,
or under the supervision of:

ERIC BELAJ 107148 May 31, 2017
Engineer's Name PE# Date


Engineer's Signature

SECTION	EROSION CONTROL
DETAIL NO.	EC-6
TITLE	CHANNEL ROCK BERM