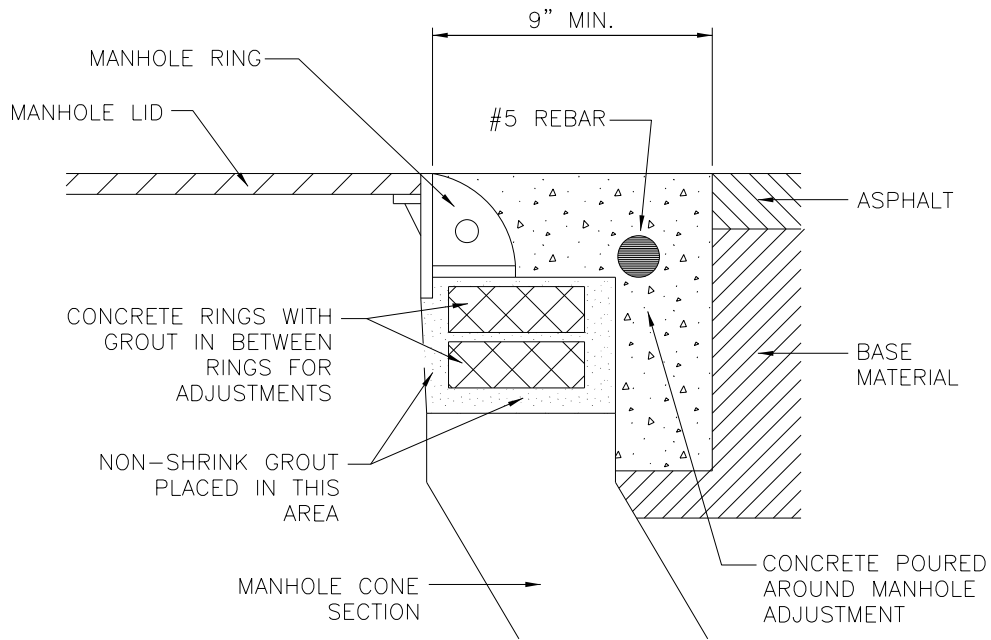


DETAIL 1



DETAIL 2

SCALE: NOT TO SCALE



MARBLE FALLS  
800 THIRD STREET  
MARBLE FALLS, TX 78654  
PH: (830) 693-6737

These documents were prepared by,  
or under the supervision of:

ERIC BELAJ 107148 May 31, 2017  
Engineer's Name PE# Date

*[Signature]*  
Engineer's Signature

SECTION  
**STORM DRAINAGE**

DETAIL NO.  
SD-19

TITLE  
JUNCTION BOX  
(2 OF 2)