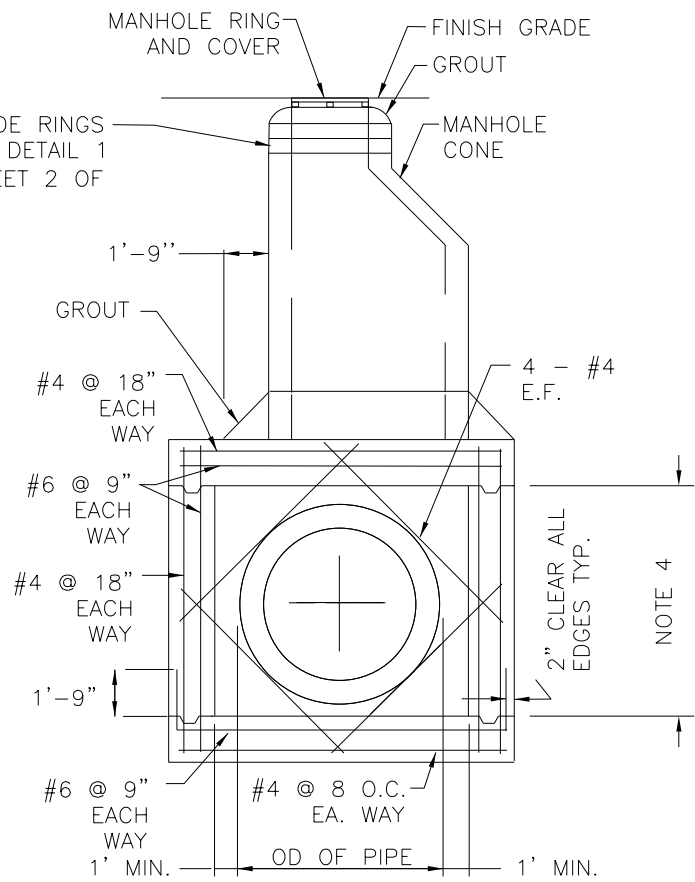
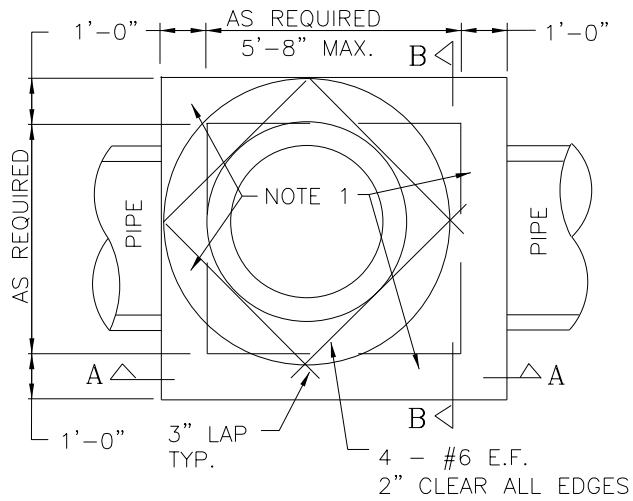


SECTION A-A



SECTION B-B



NOTES:

1. ALL CONCRETE SHALL BE CLASS "A" WITH GRADE 8 AGGREGATE.
2. ALL REINFORCEMENT SHALL BE GRADE 60 DEFORMED BARS.
3. IN SHALLOW INSTALLATION WHERE THERE IS INSUFFICIENT DEPTH FOR MANHOLE CONES AND RINGS, SET GRADE RING DIRECTLY ON TOP OF BOX STRUCTURE
4. CONSTRUCT BOX AT DEPTHS AND WITH VERTICAL CLEARANCE AS REQUIRED TO ACCOMMODATE ALL PIPE CONNECTIONS.
5. USE THE CITY OF MARBLE FALLS STANDARD STORM SEWER SET. STORM SEWER MANHOLE FRAMES AND COVER TO BE EAST JORDAN IRON WORKS, INC. V-1600-5 OR APPROVED EQUAL (24" OR 38")

SCALE: NOT TO SCALE



MARBLE FALLS
800 THIRD STREET
MARBLE FALLS, TX 78654
PH: (830) 693-6737

These documents were prepared by,
or under the supervision of:

ERIC BELAJ 107148 May 31, 2017
Engineer's Name PE# Date

[Signature]
Engineer's Signature

SECTION
STORM DRAINAGE

DETAIL NO.
SD-18

TITLE
JUNCTION BOX
(1 OF 2)