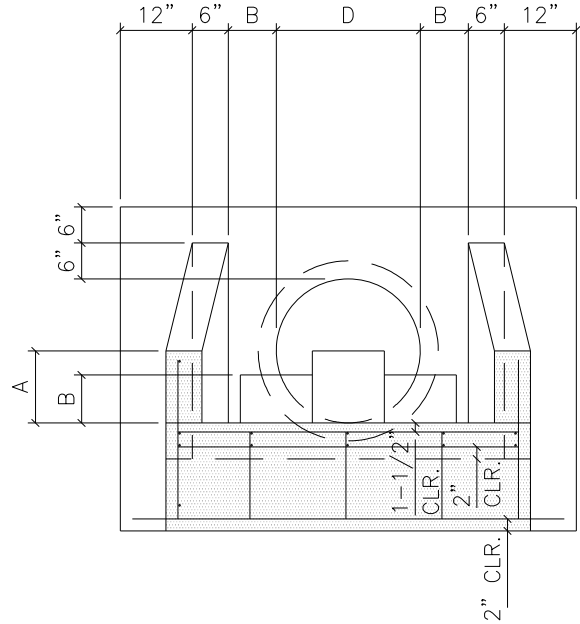
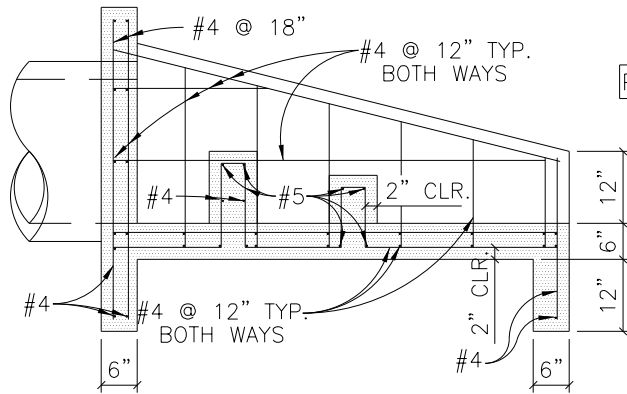


PLAN



SECTION B-B



SECTION A-A

DIMENSIONS IN INCHES

PIPE I.D.	18	21	24	27	30	33	36	42	48	54	60
A	9	10	12	14	15	16	18	21	24	27	30
B	6	7	8	9	10	11	12	14	16	18	20
C	32	42	48	54	60	66	72	84	96	108	120
L	54	63	72	81	90	99	108	126	144	162	180


SCALE: NOT TO SCALE



MARBLE FALLS  
 800 THIRD STREET  
 MARBLE FALLS, TX 78654  
 PH: (830) 693-6737

These documents were prepared by,  
 or under the supervision of:

ERIC BELAJ 107148 May 31, 2017  
 Engineer's Name PE# Date

  
 Engineer's Signature

SECTION  
**STORM DRAINAGE**

DETAIL NO.  
 SD-17

TITLE  
 HEADWALL ENERGY  
 DISSIPATORS