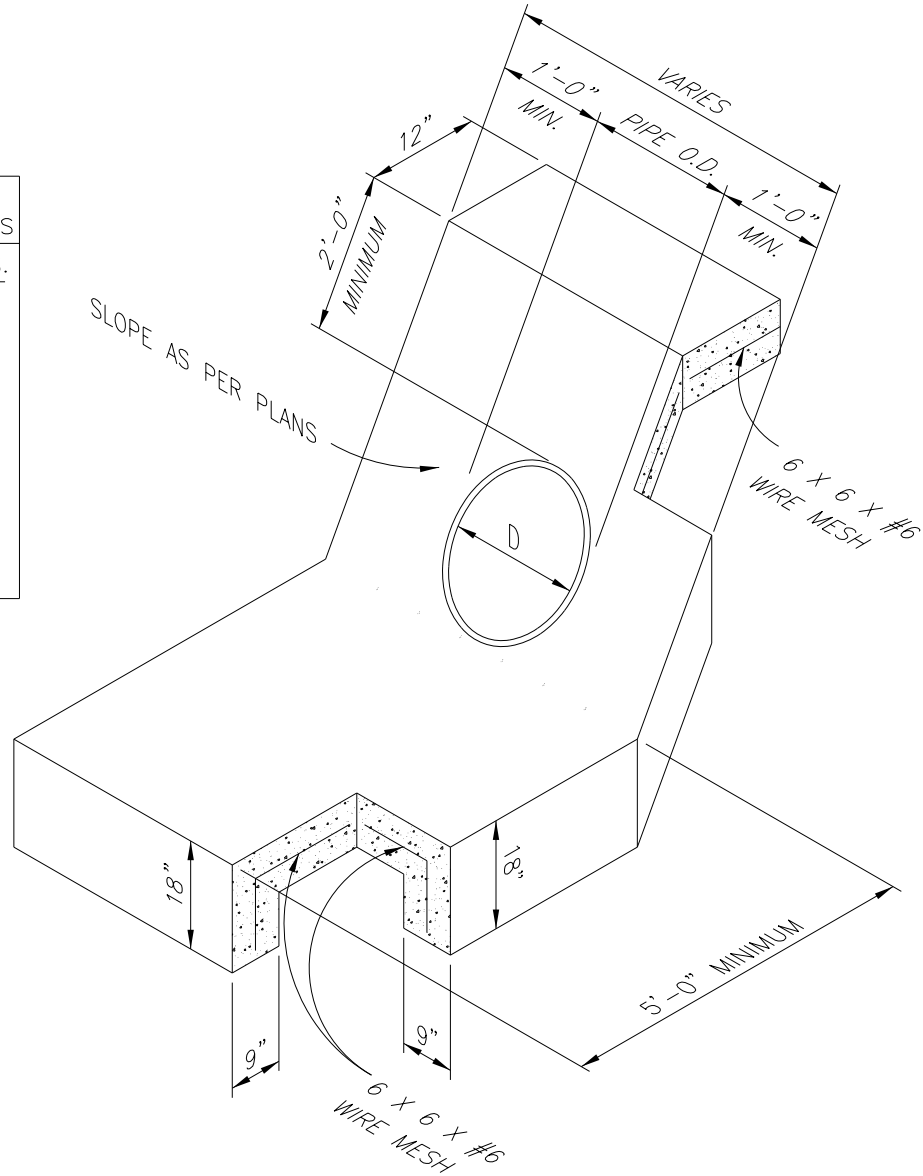


MINIMUM RIP-RAP QUANTITIES	
PIPE	SQ. YDS.
18"	6.2
24"	6.9
27"	7.8
30"	9.5
36"	10.4
42"	12.0
48"	14.3
54"	16.4



**NOTES:**

1. WHEN HEADWALLS AND WINGWALLS ARE REQUIRED, THEY SHALL CONFORM TO THE TxDOT STANDARDS, OR AS DIRECTED BY THE CITY.
2. ENERGY DISAPPATORS IF PIPE VELOCITY EXCESSED 5.0 F.P.S. OR AS DIRECTED BY THE CITY.


SCALE: NOT TO SCALE



MARBLE FALLS  
800 THIRD STREET  
MARBLE FALLS, TX 78654  
PH: (830) 693-6737

These documents were prepared by,  
or under the supervision of:

ERIC BELAJ 107148 May 31, 2017  
Engineer's Name PE# Date

  
Engineer's Signature

SECTION

**STORM DRAINAGE**

DETAIL NO.

SD-11

TITLE

SLOPED END TREATMENT  
TYPE 'A'