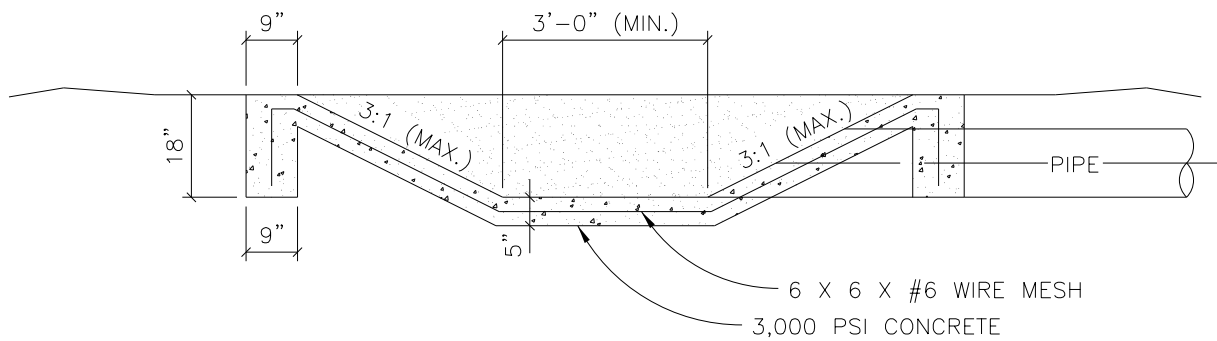


PLAN



SECTION


SCALE: NOT TO SCALE



MARBLE FALLS
800 THIRD STREET
MARBLE FALLS, TX 78654
PH: (830) 693-6737

These documents were prepared by,
or under the supervision of:

ERIC BELAJ 107148 May 31, 2017
Engineer's Name PE# Date


Engineer's Signature

SECTION
STORM DRAINAGE

DETAIL NO.
SD-10

TITLE
CONCRETE VALLEY DRAIN