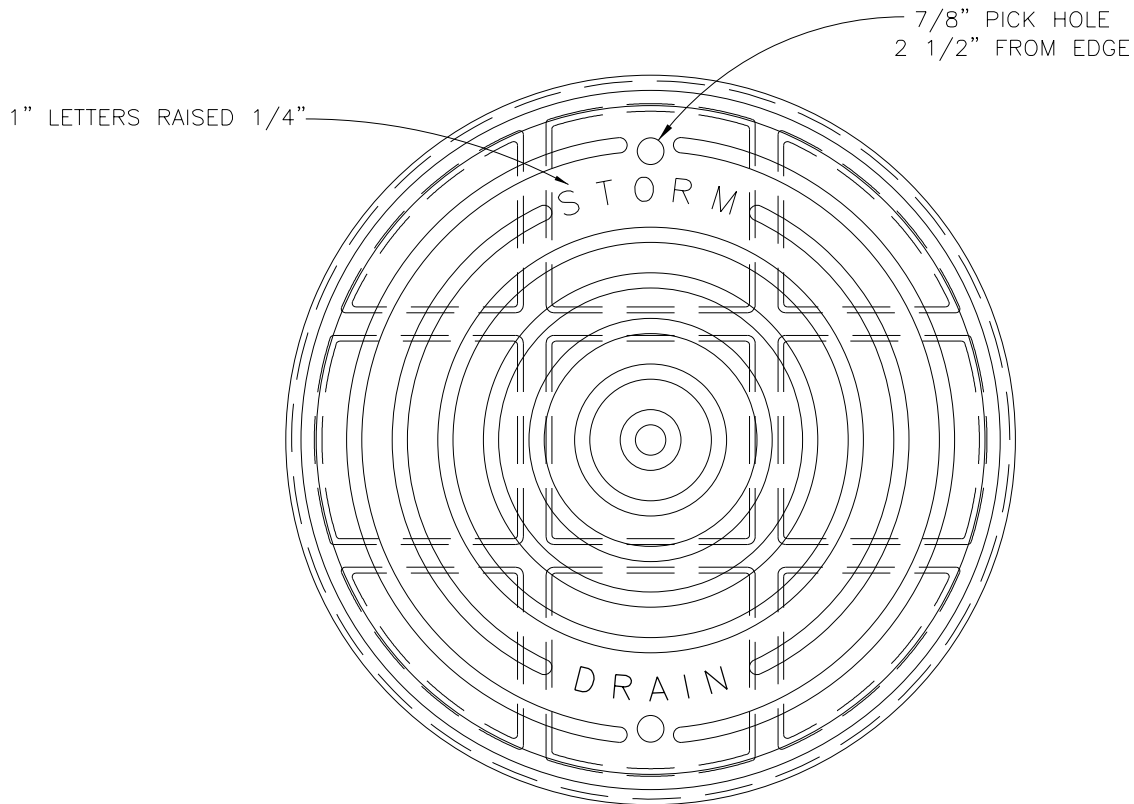


SECTION



PLAN

NOTE:

1. REQUIRED FOR USE IN STORM SEWER STRUCTURES HAVING A DEPTH OF 4- FEET OR LESS.
2. ALL MANHOLE COVERS SHOULD SAY "STORM DRAIN"

SCALE: NOT TO SCALE



MARBLE FALLS
800 THIRD STREET
MARBLE FALLS, TX 78654
PH: (830) 693-6737

These documents were prepared by,
or under the supervision of:

ERIC BELAJ 107148 May 31, 2017
Engineer's Name PE# Date

[Signature]
Engineer's Signature

SECTION
STORM DRAINAGE

DETAIL NO.
SD-4

TITLE
24" MANHOLE COVER
(1 OF 2)